

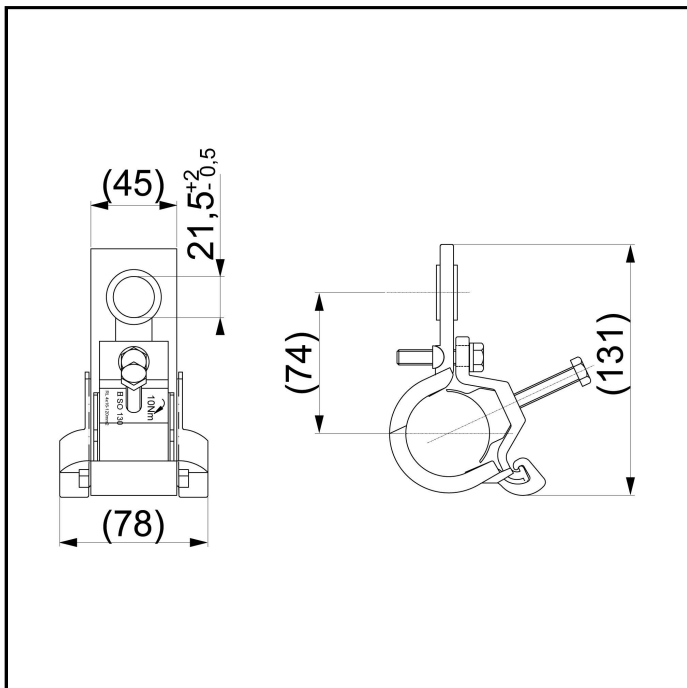
Suspension clamp SO130



Used for the installation and suspension of LV ABC cables to poles with standard hook attachment. Thanks to the integrated construction, no extra parts are needed for the installation. The body is made of corrosion proof aluminium and the inserts of weather resistant plastic.

- Help in building a distribution network with a life cycle of 40-50 years.
- Type tested and hence, always reliable.
- Easy-to-install design to make the installer's work easier and faster.

Code SO130
GTIN 6418677404306
Name Suspension clamp
 2-4x(16-120) mm²



Certificates

Standards	EN 50483-2:2009
-----------	-----------------

Dimensions

Weight	0.294 kg
Height	131 mm
Width	78 mm
Conductor size	2-4x(16-120) mm ²
Cable diameter	12-42 mm

Electrical values

Test voltage	6 kV / 50 Hz / 1 min
--------------	----------------------

Mechanical

SMFL	18 kN
Tightening torque Nm	10 Nm

ETIM

ETIM Class	EC003516
Type of accessory/spare part	Other

Packaging

Carton

Size	25 pce
Depth	385 mm
Height	165 mm
Width	260 mm
Weight	7.850 kg
Volume	16.5165 l

Pallet package

Size	1350 pce
Depth	1200 mm
Height	1140 mm
Width	800 mm
Weight	443.900 kg
Volume	1094.4 l

Downloads

[Dimensional drawing M1 \(new window\)](#)

File type: PDF



[Installation instruction](#)

File type: PDF

