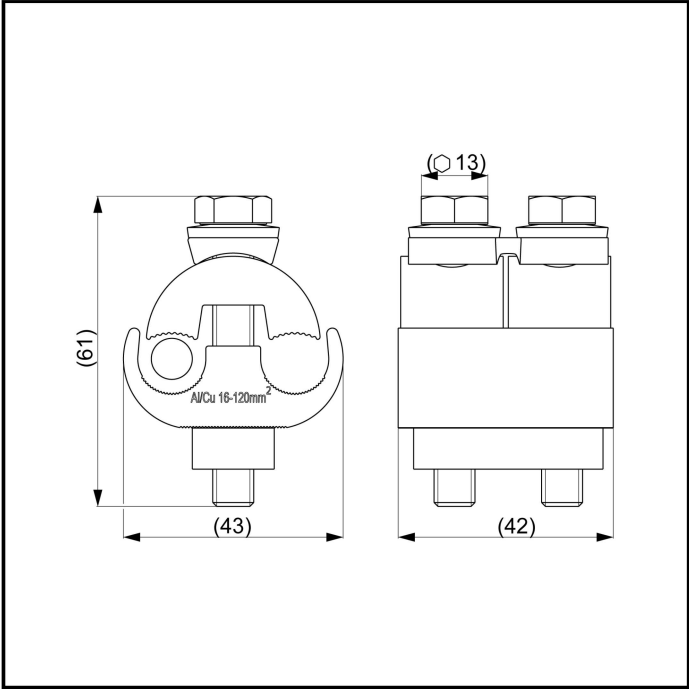


Busbar connector KG41



The KG41 connector is used for connecting Al-conductors to aluminium busbars or tin plated copper busbars in distribution boards, disconnectors, medium and low voltage transformer bushings. Max thickness of the bar 7.5 mm.

Code KG41
GTIN 6418677400230
Name Busbar connector
Al 16-120 mm²



Dimensions

Weight	0.165 kg
Height	61 mm
Width	43 mm
Length	42 mm
Conductor diameter	4.6 ... 14 mm
Thickness of the bar max	7.5 mm
Conductor size Al	16 ... 120 mm ²

Features

Bolt	2xM8
------	------

Mechanical

Tightening torque Nm	20 Nm
----------------------	-------

ETIM

ETIM Class	EC000001
Suitable for	Flat rail
Width clamp	44 mm
Max. conductor cross section	120 mm ²
Suitable for round conductor connection	Yes
Suitable for sector conductor connection	Yes
Suitable for strip conductor connection	Yes

Packaging

Carton

Size	50 pcs
Depth	210 mm
Height	160 mm
Width	210 mm
Weight	8.402 kg
Volume	7.056 l

Pallet package

Size	3500 pcs
Depth	1200 mm
Height	840 mm
Width	800 mm
Weight	608.140 kg
Volume	806.4 l

Downloads

[Dimensional drawing](#)

File type: PDF



[Installation instruction](#)

File type: PDF

