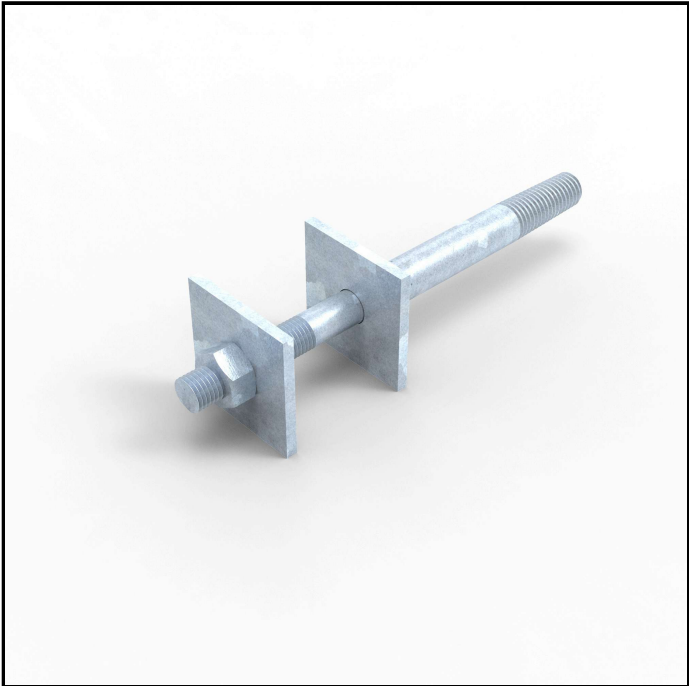
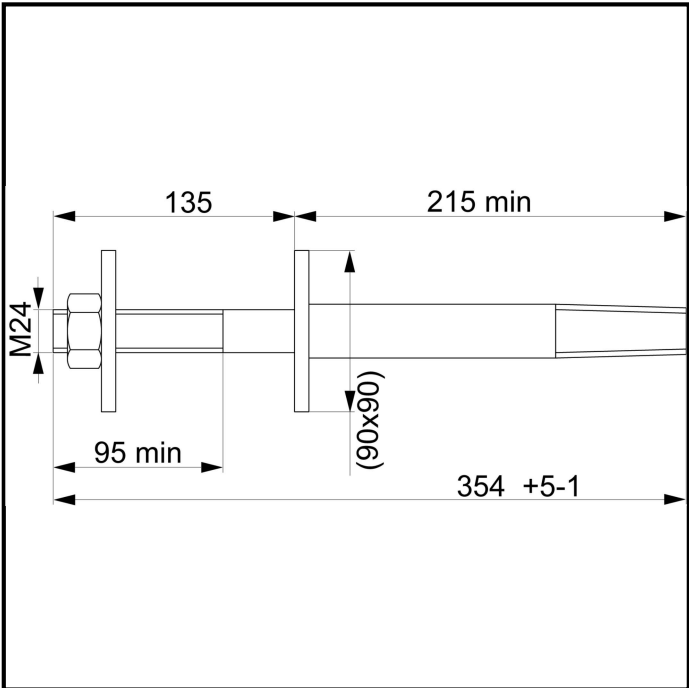


# Insulator pin SOT24.10



Insulator pin is used for the installation of 24 kV porcelain pin insulator (e.g. SDI37) onto a crossarm balk. The pin is made of hot dip galvanized steel.

**Code** SOT24.10  
**GTIN** 6418677411427  
**Name** Insulator pin  
H=354, square washers



## Dimensions

---

**Weight** 2.9 kg

## ETIM

---

**ETIM Class** EC003516

**Type of accessory/spare part** Insulator pin

## Packaging

### Carton

---

**Size** 10 pcs  
**Depth** 404 mm  
**Height** 233 mm  
**Width** 269 mm  
**Weight** 29.432 kg  
**Volume** 25.321508 l

### Pallet package

---

**Size** 360 pcs  
**Depth** 1200 mm  
**Height** 990 mm  
**Width** 800 mm  
**Weight** 1079.552 kg  
**Volume** 950.4 l

## Downloads

[Dimensional drawing M1 \(new window\)](#)

---

File type: PDF

